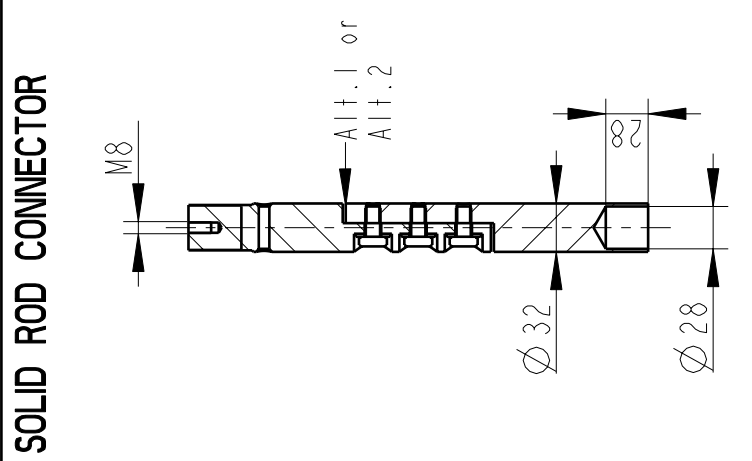
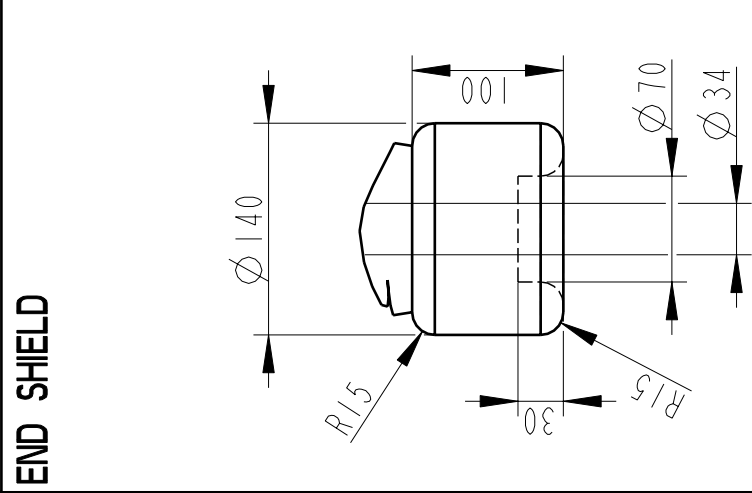


**Bushing Data:**

Rated Voltage	170	kV
Phase to Ground Voltage	170	kV
Dry Lightning Impulse 1,2/50 $\mu$ s	750	kV
Wet power frequency AC	325	kV
Routine test lmin dry 50Hz	350	kV
Rated Current	1250	A
Creepage Distance	4800 $\pm$ 150	mm
Creepage Distance Protected	1700	mm
Mass	180	kg



**Ordering Data:**

**BUSHING**  
 LF123077-K  
 -L  
 COLOUR AIR INSULATOR  
 BROWN  
 LIGHT GREY

**OUTER TERMINAL**  
 LF 170 002-B  
 LF 170 001-B  
 OTHER TYPES ON REQUEST  
 Cu,  $\varnothing$  30, L=125  
 Al,  $\varnothing$  30, L=125

**INNER TERMINAL FOR STRANDED CABLE**  
**For brazing**  
 LF 170 011-T  
 LF 170 011-V  
 Conductor area  
 up to 285mm<sup>2</sup>  
 Undrilled with pilot hole  $\varnothing$  5

**SOLID ROD CONNECTOR**  
 LF 170 052 -M for Alt.1  
 N/A for Alt.2

**ABB Components**    **Ludvika, Sweden**

No.	Urbly	kV tr	A	5060 Hz	IV
Urbly	LI / SI / AC	kg L	mm	V	r
M		pf	Tan $\delta$	r	r
C1		pf	Tan $\delta$	r	r
C2		pf	Tan $\delta$	r	r

**Based on**

Responsible department	COM/BK
Take over department	Johansson
Database	Hedlund

**Reg. No.**

Title	GOB 750-1250-0
	WITHOUT OIL LEVEL GAUGE
	SHORT END SHIELD

**Page**  
1(1)

**Document No.**  
2751369-163